

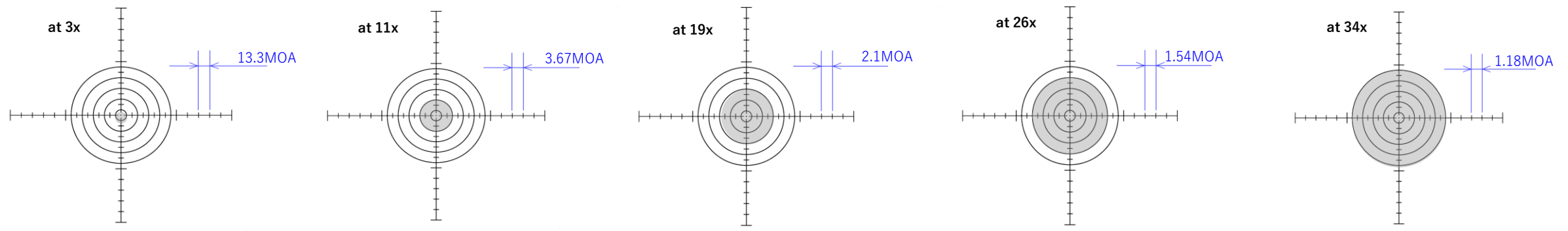
# 【 MTR-RTM reticle 】 Target size according to the magnification



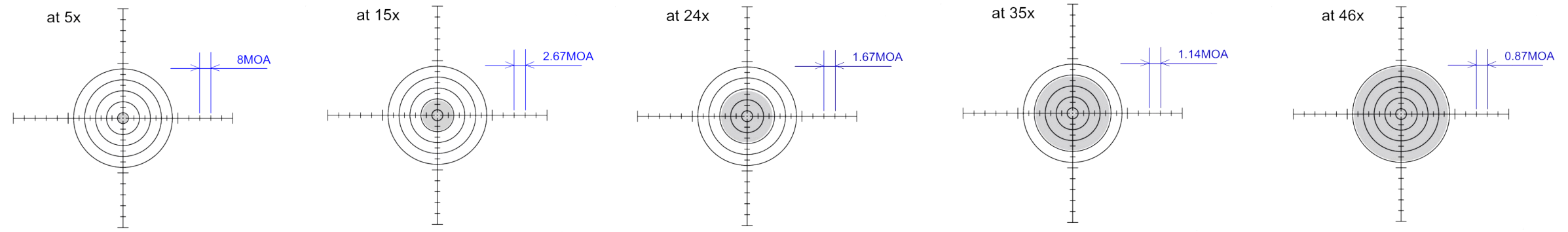
When you change the magnification of the scope, only the target size will increase and decrease its size. Cross lines and the center dot can be illuminated. The grey part in the images below are the black target in each shooting category. Size of the black target is calculated based on each shooting category. The aim of the MTR-RTM reticle is to create a gap between the reticle and the target at your preference. In some countries where different regulations are adopted, please see the images below as a reference.

ISSF : <https://www.issf-sports.org/getfile.aspx?mod=doc&pane=1&inst=458&file=1.%20ISSF%20General%20Technical%20Rules.pdf>  
F class : ICFRA [https://e1e1515b-f062-426d-8b3c-6c508be9b8a2.filesusr.com/ugd/d54b0a\\_ce5f1a8a7d314d4e927c2d1d5236aae5.pdf](https://e1e1515b-f062-426d-8b3c-6c508be9b8a2.filesusr.com/ugd/d54b0a_ce5f1a8a7d314d4e927c2d1d5236aae5.pdf)

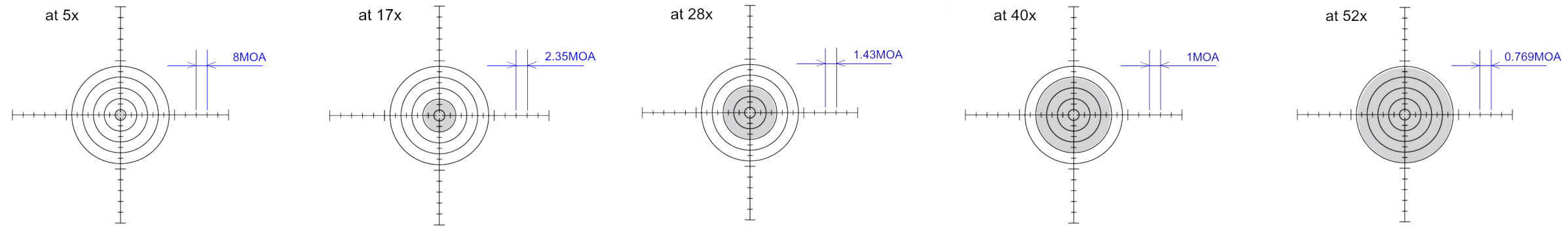
ISSF  
10m



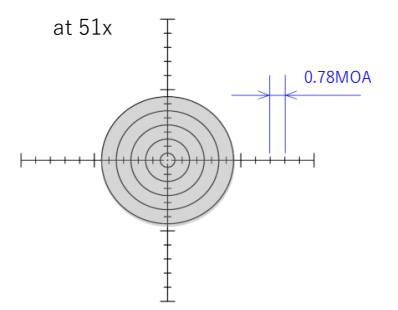
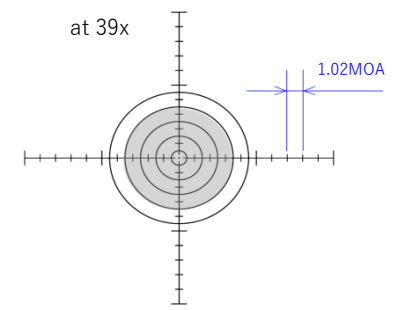
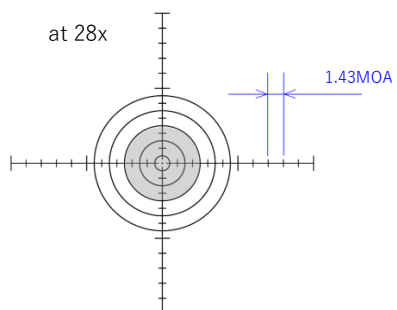
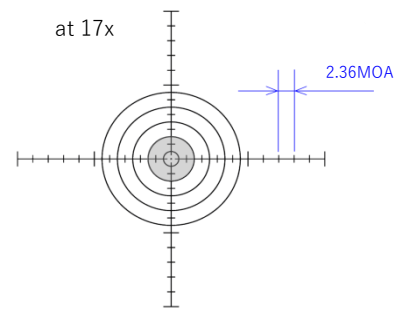
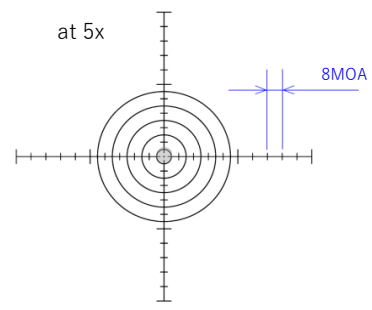
ISSF  
50m



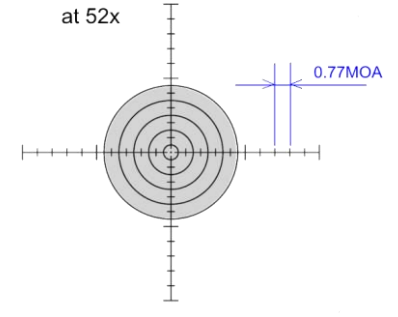
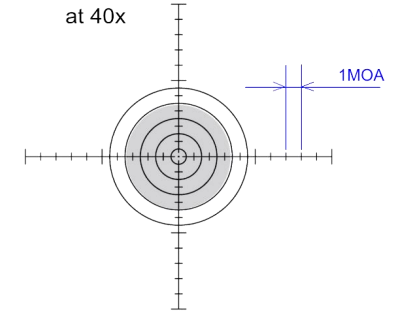
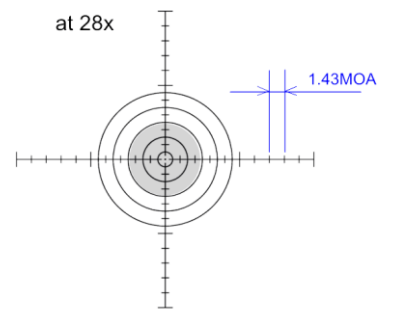
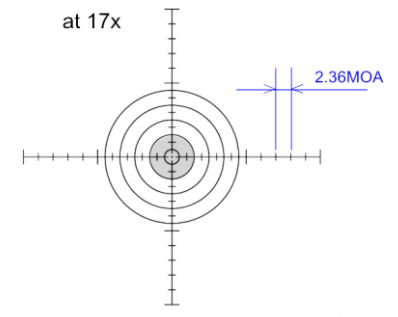
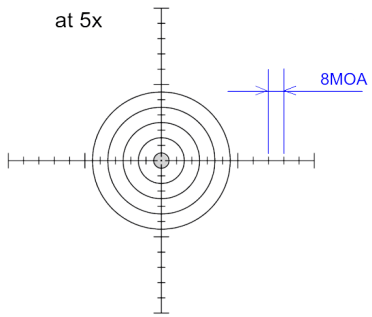
ISSF  
300m



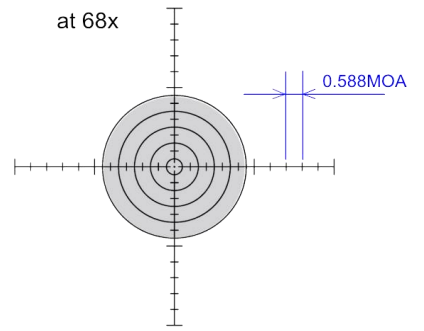
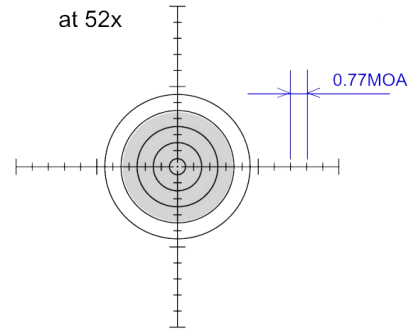
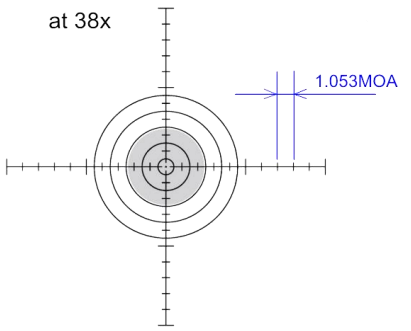
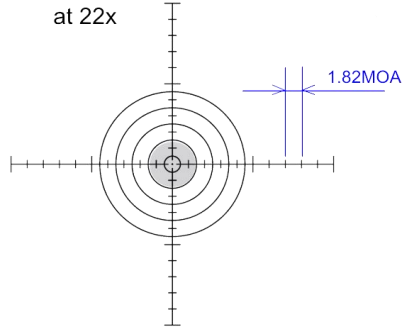
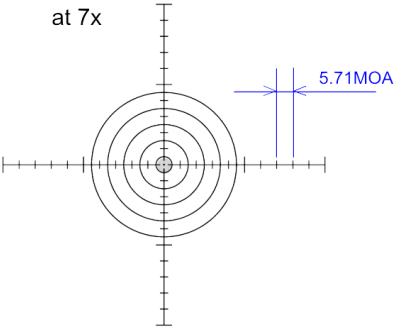
F  
300  
Yd



F  
500  
Yd



F  
800  
Yd



F  
1000  
Yd

